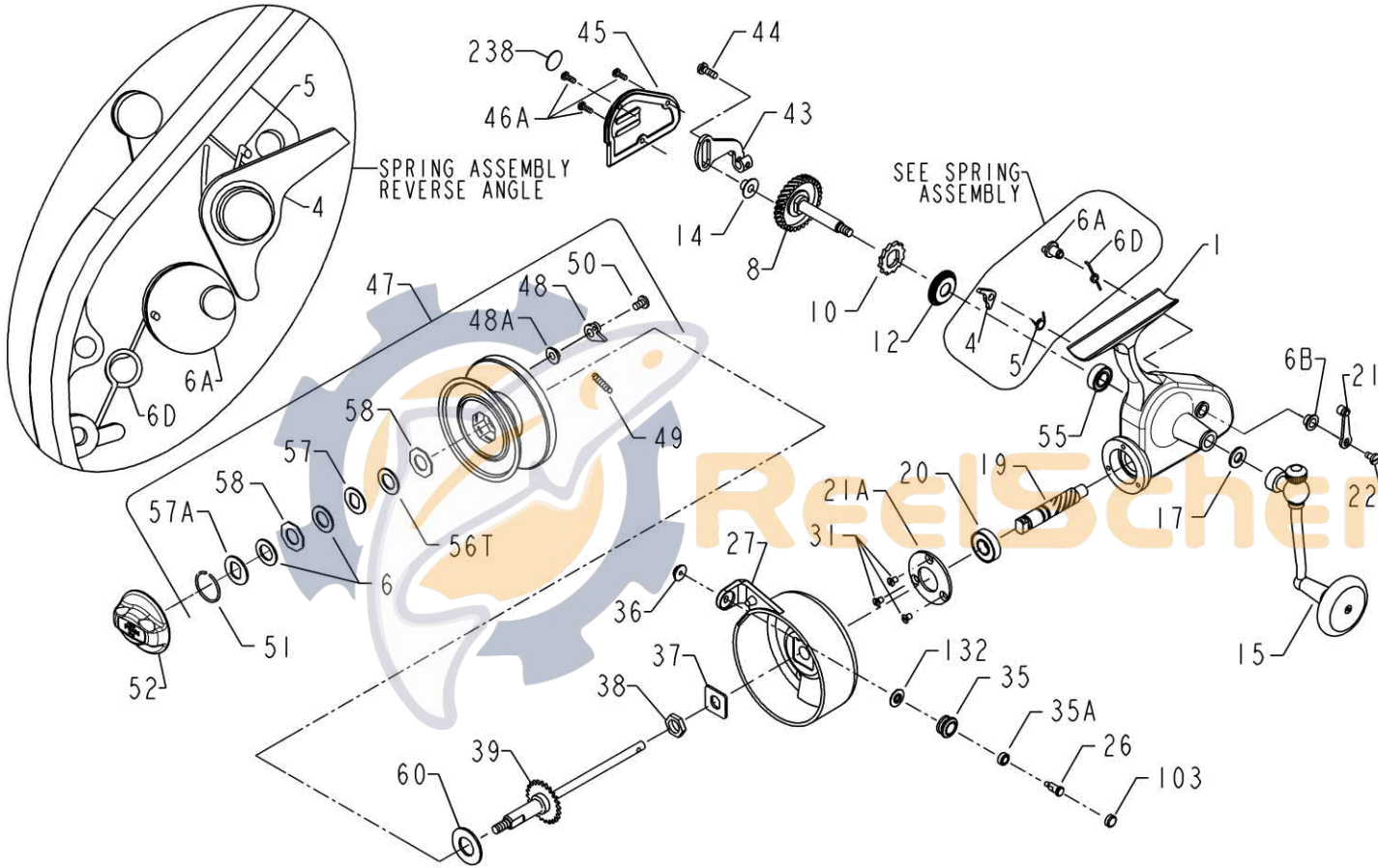


# PENN<sup>®</sup> PARTS LIST FOR MODEL 706Z (BAILLESS)

REEL ASSEMBLY NO. 000F706Z (1291091)



KEY NO.	PENN STYLE NO.	ORDER PART NO.	DESCRIPTION
1	001 706	1180542	Housing w/Bushing
4	004 704	1180783	Dog
5	005 704	1180877	Dog Spring
6	006 060	1180906	Drag Washer-HT100 (2 req)
6A	006A704	1180954	Eccentric
6B	006B700Z	1180965	Eccentric Liner
6D	006D710	1180977	Eccentric Spring
8	008 704	1181097	Main Gear
10	010 704	1181208	Ratchet
12	012 704	1181272	Main Gear Thrust Washer
14	014 710	1181409	Crosswind Roller
15	015 706	1181494	Handle (Complete)
17	017 710	1181601	Handle Washer
19	019 704	1181708	Pinion Gear
20	020 704	1181790	Pinion Bearing
21	021 109	1181843	Eccentric Lever
21A	021 706	1181875	Bearing Cover
22	022 109	1181912	Eccentric Screw
26	026 706	1182128	Roller Stud
27	027 706	1182274	Rotor Cup Inseparable Asm
31	031 019	1182654	Bearing Cover Screw (3 req)
35	035 706	1182938	Line Roller
35A	035A706	1182963	Line Roller Bearing
36	036 706	1183015	Bail Lock Nut
37	037 706	1183084	Rotor Cup Washer
38	038 704	1183156	Rotor Cup Nut
39	039 704	1183230	Spool Shaft
43	043 704	1183399	Crosswind Arm
44	044 704	1183458	Crosswind Screw
45	045 706	1183523	Housing Plate (w/o Emblem)
46A	046A704	1183586	Housing Plate Screw (3 req)
47	047 706	1183659	Spool (Complete Asm)
48	048 450	1183709	Click Tongue
48A	048A750	1183722	Click Tongue Washer
49	049 710	1183741	Click Spring
50	048B750M	1186969	Click Screw
51	051 704	1183795	Retaining Spring
52	052 750	1183837	Drag Knob (Complete Asm)
55	055 320	1183887	Gear Bearing
56T	056T704	1183918	Drag Washer (Teflon®)
57	057 704	1183937	Metal Keyed Washer
57A	057A750	1183942	Metal Keyed Washer
58	058 704	1183960	Metal Washer (Octagon)(2 req)
60	060 710	1184004	Rear Drag Washer (Teflon®)
103	103 706	1184415	Bearing Cap
132	132 706	1184594	Roller Washer
238	238 706	1185179	Housing Plate Emblem